

ELGER[®]

ELECTRIC ACTUATOR
EQL SERIES



ELGER CONTROLS

We, at ELGER CONTROLS offer products & solutions to effectively meet the challenges of modern process control, for automation of final control elements like valves & dampers. We are committed to provide robust and reliable actuators for every type of industry and every type of application. Our well established policies and procedures complying to ISO 9001:2015, ensure that the quality and reliability of our products and services meet customer and applicable statutory and regulatory requirements.



EQL VERSION

EQL series offers linear actuation technology for the automation of final control elements, used extensively in process industries like power, steel, cement, chemical & petrochemical, pharmaceutical, paper, food & beverages, water treatment & etc., EQL series actuator are designed for linear actuation process to control globe / linear control valves.

- Power supply 24V AC/DC ; 1 Ph 110/230 V AC or 3 Ph 380/440 V AC
- Option for modulating 4~20mA or 0~10 V DC input & output signal

APPLICATION

- Gate valve
- Globe valve

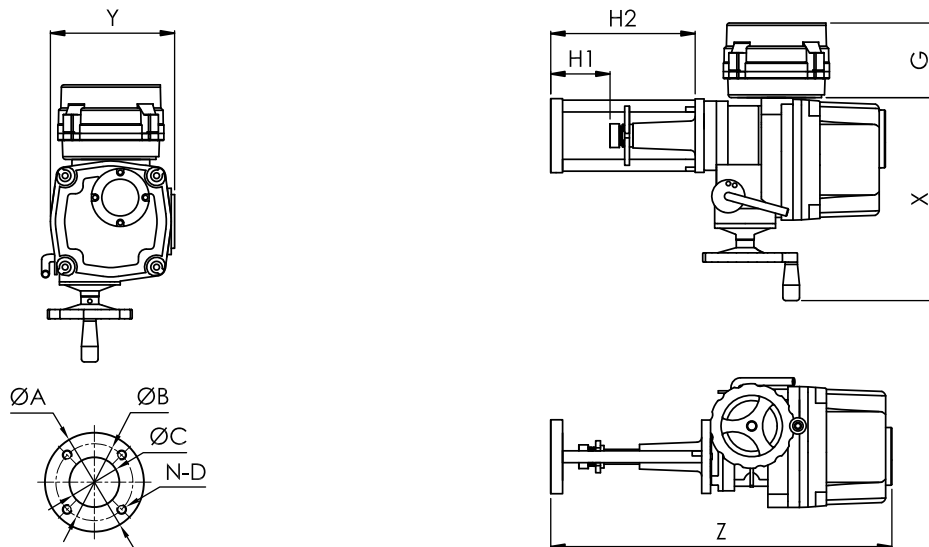
PRODUCT RANGE

Model	Thrust force (kN)	Stroke (mm)	Operation Speed 50/60Hz (mm/sec)	Motor Power (W)	Rated Current (A)			Weight (kg)
					110 VAC 50/60 Hz	220 VAC 50/60Hz	440 VAC 50/60 Hz	
EQL-005	5	60	0.66/0.8	20	1.10/0.95	0.55/0.54	0.29/0.30	18
EQL-010	10	60	0.33/0.4	20	1.10/0.95	0.55/0.54	0.29/0.30	18
EQL-016	16	60	0.5/0.6	40	1.67/1.67	0.89/0.85	0.30/0.30	30
EQL-020	20	60	0.44/0.52	90	1.85/1.86	0.92/0.92	0.34/0.34	33
EQL-025	25	60	0.44/0.52	90	1.85/1.86	0.92/0.92	0.34/0.34	34
EQL-030	30	60	0.44/0.52	90	1.85/1.86	0.92/0.92	0.34/0.34	35

STANDARD TECHNICAL SPECIFICATION

Enclosure	Aluminium alloy, Weather proof IP67, NEMA 4 (Optional Exproof EExd IIC T5 / IP68)	
Power supply	24V AC/DC or 1Ph 110/220 V AC or 3Ph 415 V AC 50/ 60 Hz	
Control supply(for 3Ph actuators only)	24V AC/DC or 1Ph 110/220 V AC 50/ 60 Hz	
Motor	Squirrel cage Induction motor	
Duty cycle	S2 (15 to 30 min) ON/OFF, S4 (300 to 1200 starts/hr)	
Limit switch	1 x SPDT (220V AC, 10 A) for each Open/ Close	
Auxiliary limit switch	1 x SPDT (220V AC, 10 A) for each Open/ Close	
Thrust switch	1 x SPDT (220V AC, 10 A) for each Open/ Close	Except : EQL 005 & 010
Travel	0 to 60mm (Optional upto 100mm)	
Position indicator	Continuous position indicator	
Manual over ride	Auto declutching handwheel mechanism	
Self-locking	Self-locking by worm and worm gear	
Mechanical stopper	2 x external adjustable stopper	
Space heater	7-10W(110V/220VAC)	
Cable entry	2 x PF 3/4"	
Ambient temperature	-20°C ~ +70°C	
Lubrication	EP type moly grease	
Ambient humidity	Max 90% RH	
Anti-vibration	X Y Z 10g, 0.2 ~ 34 Hz, 30 minutes	
External coating	Dry powder, Epoxy polyester, anti-corrosion	

DIMENSIONS



MODEL	X	Y	Z	G	H1	H2	ØA	ØB	ØC	N-D
EQL-005	260	163	500	140	120	255	Ø 125	Ø 102	Ø 71	4-M10
EQL-010	260	163	500	140	120	255	Ø 125	Ø 102	Ø 71	4-M10
EQL-016	351	227	568	140	110	280	Ø 125	Ø 102	Ø 65	4-M10
EQL-020	367	240	652	140	165	355	Ø 150	Ø 125	Ø 80	M-M12
EQL-025	367	240	652	140	165	355	Ø 150	Ø 125	Ø 80	M-M12
EQL-030	367	240	652	140	165	355	Ø 150	Ø 125	Ø 80	M-M12

CURRENT TRANSMITTER



Analog position feedback 4~20mA(2 wire)

- Zero adjustment
- Span adjustment

POSITIONER



Continuous position control for modulating duty application

- Input signal : 4~20mA(Optional: 0~10V DC / 0~5V DC)
- Output signal : 4~20mA 2 wire

INTEGRAL STARTER/LOCAL CONTROL



- Reversing contactors with in built power supply
- Rotary switch for Local /Stop /Remote selection and Open /Close operation



ELGER[®]
www.elgercontrols.com



ELGER CONTROLS INDIA PVT LTD

No.106, Shed No. 3, SIDCO Industrial Estate,
Malumichampatty, Coimbatore - 641 050,
Tamilnadu, India.

Phone : +91 422 2655666

Email: sales@elgercontrols.com

Web : www.elgercontrols.com

The contents of this publication are presented for informational purposes only. While effort has been made to ensure their accuracy, they are not to be construed as warranties or guarantees, expressed or implied, regarding the products or services described herein or their use or applicability. All product, product specifications and data are subject to change without notice to improve reliability, function, design or otherwise.

S-EQL-190001-Y-001