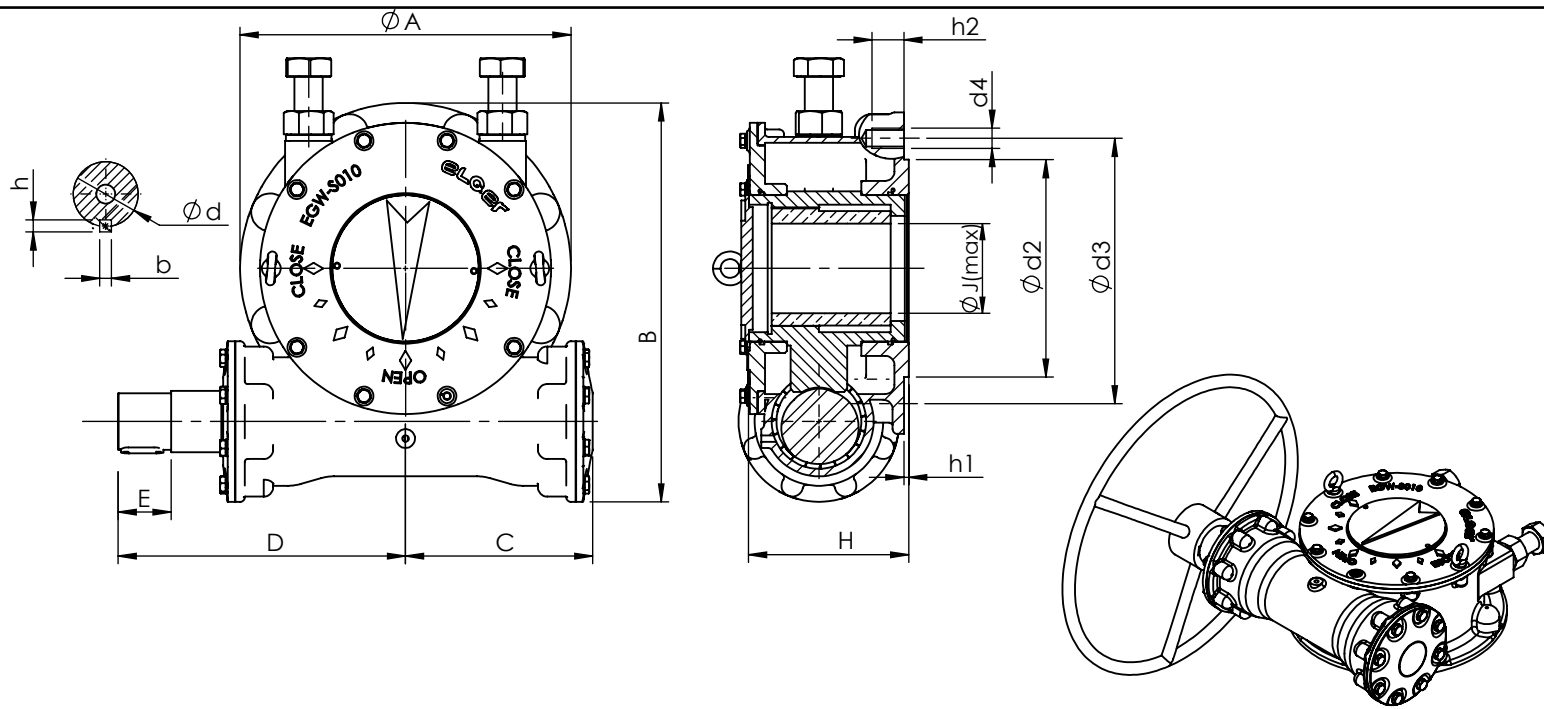


THIS DRAWING IS A PROPERTY OF ELGER CONTROLS INDIA PVT.LTD. AND SHALL NOT BE USED, COPIED OR TRANSMITTED IN ANY FORM FULL OR PART WITHOUT A WRITTEN CONSENT OF THE COMPANY.



Mounting Base ISO 5211	Ød2*	Ød3	d4	h1	h2	No of bolts
F07	55	70	M8	3	12	4
F10	70	102	M10	3	15	4
F12	85	125	M12	3	18	4
F14	100	140	M16	4	24	4
F16	130	165	M20	5	30	4
F25	200	254	M16	5	24	8
F30	230	298	M20	5	30	8
F35	260	356	M30	5	45	8
F40	300	406	M36	8	54	8
F48	370	483	M36	8	54	12

\*check product GA drawing for availability of spigot option.

All dimensions are in mm.

Model	Rated Torque (Nm)	Ratio	Input Rotations	MA ±10%	Mounting Base ISO 5211	ØJ(max) (key)	ØA	B	C	D	E	H	Ød	bxh	Hand Wheel ø	Weight (kg) w/o Hand wheel
EGW-S0P4	400	32	8	10.2	F07/F10	24(6x6)	125	148.5	71	153	25	89.5	15	5x5	200	5
EGW-S0P7	750	34	8.5	10.8	F07/F10/F12	28(8x7)	150	175	86	165	25	95.5	20	6x6	250	7
EGW-S001	1200	38	9.5	10.4	F10/F12/F14/F16	40(12x8)	210	226	103.5	191.5	35	118.5	25	8x7	300	13
EGW-S002	2000	44	11	14.5	F10/F12/F14/F16	50(14x9)	210	247	111	196.5	32	129.5	30	8x7	400	16
EGW-S003	3000	48	12	14.9	F12/F14/F16	63(18x11)	210	264	121	211	38	136	40	12x8	500	22.5
EGW-S004	4500	52	13	16.5	F14/F16	70(20x12)	220	287.5	131	220.5	37	137	45	14x9	560	27.5
EGW-S006	6500	52	13	18.1	F16/F25	80(22x14)	300	356	170.5	260	37	149.5	50	14x9	560	43.5
EGW-S010	10500	54	13.5	19.4	F25/F30	95(25x14)	350	417	198.5	304	56	169.5	60	18x11	630	70
EGW-S016	16000	54	13.5	19.8	F25/F30	120(32x18)	350	454	209	317	59	183	75	20x712	710	97
EGW-S024	24000	56	14	21.2	F25/F30/F35	130(32x18)	415	521.5	234	348	65	204.5	85	22x14	710	140
EGW-S032	32000	58	14.5	23.3	F25/F30/F35	145(36x20)	415	569	249	363.5	65	219	90	25x14	800	172
EGW-S052	52000	60	15	23.8	F30/F35/F40	170(40x22)	475	644	285.5	390	72	249	100	28x16	900	263
EGW-S081	81000	62	15.5	24.4	F35/F40/F48	206(50x28)	560	748	334	440	72	286	110	28x16	1000	365
EGW-S125	125000	62	15.5	25.6	F40/F48	234(56x32)	560	917	384	550	80	333	130	32x18	1000	605

REV NO.		ECN NO.		DESCRIPTION		REV BY		DATE		WEIGHT: (kg)		IF IN DOUBT ASK		ELGER CONTROLS INDIA PRIVATE LIMITED Coimbatore - 641 050.		ALL DIMENSIONS ARE IN mm.	
										DRAWN TR		DATE 10-SEP-2019		MODEL : EGW-S		SCALE : NTS A4	
										CHK'D DT		DATE 10-SEP-2019		TITLE : GA DRAWING			
										APPV'D DT		DATE 10-SEP-2019		DWG NO. P-EGW-S00000-G-001		REVISION NO. 00 SHEET 1 OF 1	