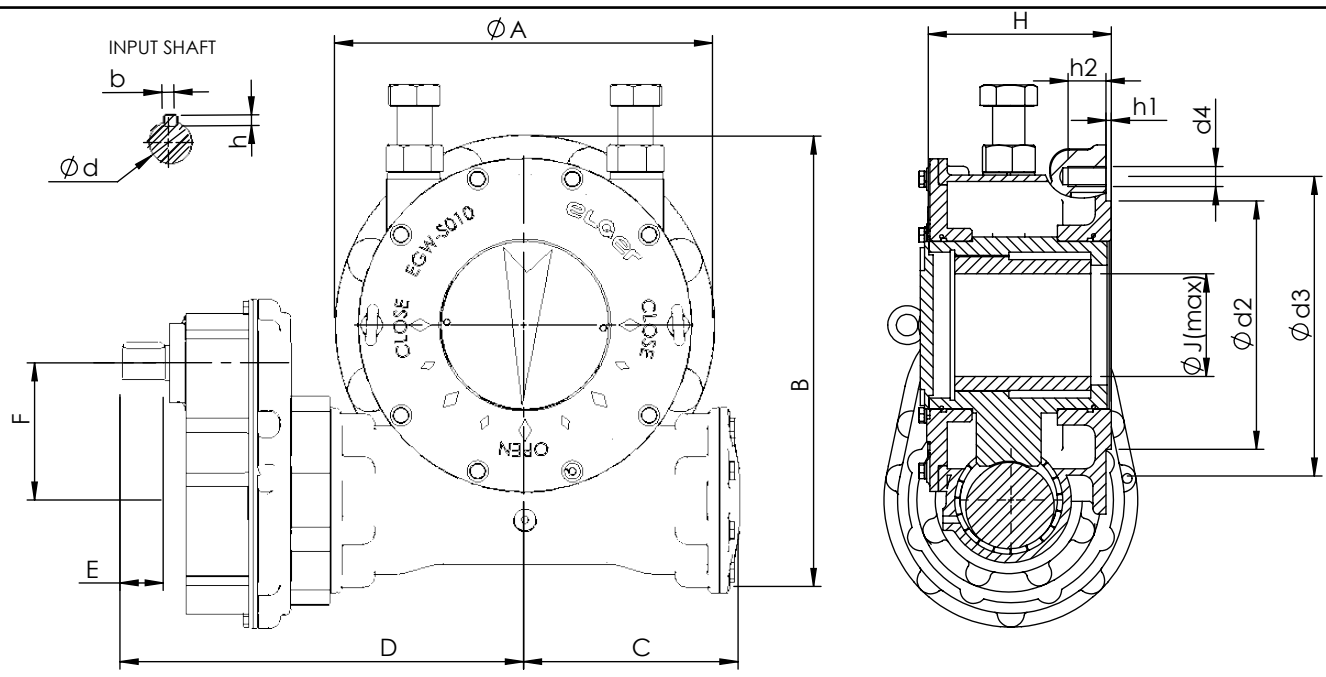
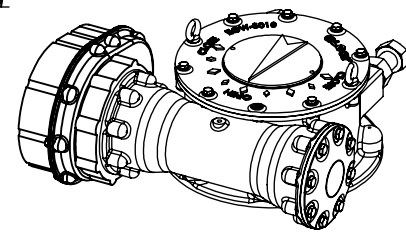


THIS DRAWING IS A PROPERTY OF ELGER CONTROLS INDIA PVT.LTD. AND SHALL NOT BE USED, COPIED OR TRANSMITTED IN ANY FORM FULL OR PART WITHOUT A WRITTEN CONSENT OF THE COMPANY.



Mounting Base ISO 5211	Ød2*	Ød3	d4	h1	h2	No of bolts
F07	55	70	M8	3	12	4
F10	70	102	M10	3	15	4
F12	85	125	M12	3	18	4
F14	100	140	M16	4	24	4
F16	130	165	M20	5	30	4
F25	200	254	M16	5	24	8
F30	230	298	M20	5	30	8
F35	260	356	M30	5	45	8
F40	300	406	M36	8	54	8
F48	370	483	M36	8	54	12

*Check product GA drawing for availability of spigot option.



All dimensions are in mm.

Model	Rated Torque(Nm)	Ratio	Input Rotations	MA ±10%	Mounting Base ISO 5211	ØJ (max) (key)	ØA	B	C	D	E	F	H	Ød	bxh	Hand Wheel ø	Weight (kg) w/o Hand wheel
EGW-S001	1200	78.3	19.6	21.4	F10/F12/F14/F16	40(12x8)	210	226	103.5	257	35	96.7	118.5	24	8x7	300	18
EGW-S002	2000	90.6	22.7	29.6	F10/F12/F14/F16	50(14x9)	210	247	111	265	35	96.7	129.5	24	8x7	300	21
EGW-S003	3000	120	30.3	30.8	F12/F14/F16	63(18x11)	210	264	121	275	35	96.7	136	24	8x7	300	27.5
EGW-S004	4500	130	32.5	41	F14/F16	70(20x12)	220	287.5	131	285	35	108.5	137	24	8x7	400	35.5
EGW-S006	6500	130	32.5	45.3	F16/F25	80(22x14)	300	356	170.5	325	35	108.5	149.5	24	8x7	400	51.5
EGW-S010	10500	165.25	41.3	59.4	F25/F30	95(24x14)	350	417	198.5	374	40	127	169.5	28	8x7	500	90
EGW-S016	16000	165.25	41.3	60.5	F25/F30	120(32x18)	350	454	209	384	40	127	183	28	8x7	500	117
EGW-S024	24000	218	54.5	82.5	F25/F30/F35	130(32x18)	415	521.5	234	419	40	141	204.5	30	10x8	600	165
EGW-S032	32000	225.6	56.4	90.5	F25/F30/F35	145(36x20)	415	569	249	434	40	141	219	30	10x8	600	197
EGW-S052	52000	296.4	74.1	117.6	F30/F35/F40	170(40x22)	475	644	285.5	458	40	210	249	34	10x8	800	313
EGW-S081	81000	306.3	76.6	120.3	F35/F40/F48	206(50x28)	560	748	334	508	40	210	286	34	10x8	800	415

					WEIGHT: (kg)		ELGER CONTROLS INDIA PRIVATE LIMITED Coimbatore - 641 050.		ALL DIMENSIONS ARE IN mm.					
					IF IN DOUBT ASK									
REV NO.		ECN NO.		DESCRIPTION			REV BY		DATE		DRAWN TR 11-SEP-2019 CHK'D DT 11-SEP-2019 APPV'D DT 11-SEP-2019	MODEL : EGW-S SINGLE REDUCTION TITLE: GA DRAWING DWG NO. P-EGW-S00000-G-011		SCALE : NTS A4 SHEET 1 OF 1