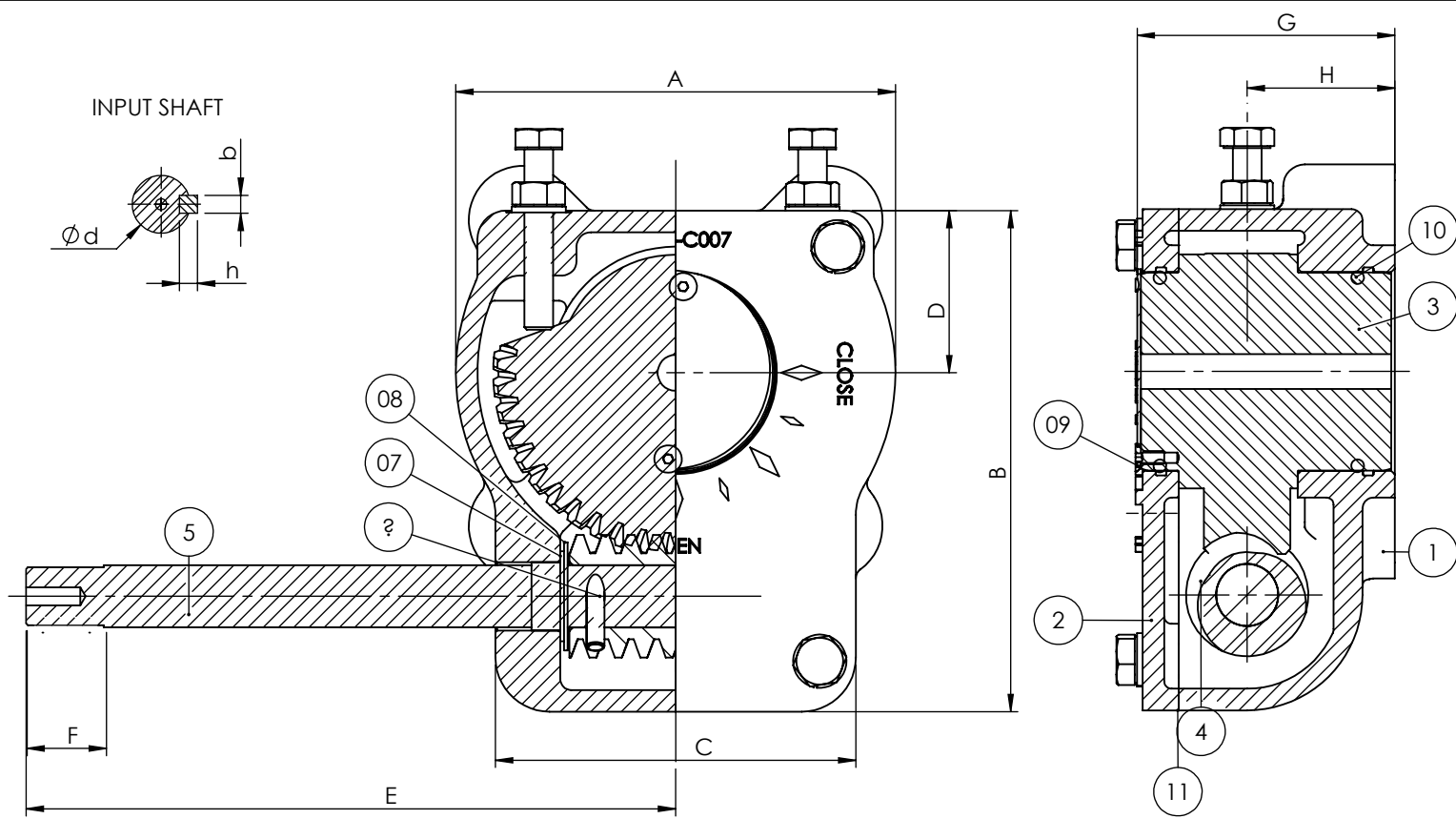
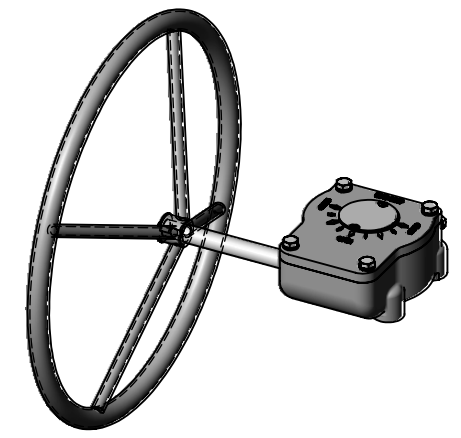


THIS DRAWING IS A PROPERTY OF ELGER CONTROLS INDIA PVT.LTD AND SHALL NOT BE USED, COPIED OR TRANSMITTED IN ANY FORM FULL OR PART WITHOUT A WRITTEN CONSENT OF THE COMPANY.



Part No	Part Name	Material
01	Housing	Cast iron (FG220)
02	Cover	Cast iron (FG220)
03	Worm wheel	Ductile Iron(SG 500/7)
04	Worm	Carbon steel (45C8)
05	Input shaft	Carbon steel (45C8)
06	Split pin	
07	Bush bearing	
08	Thrust washer	
09	Indicater	Aluminium
10	O-ring	NBR
11	Gasket	Non asbestos
12	Hand wheel	Low carbon steel



All dimensions are in mm.

Model	Rated Torque (Nm)	Ratio	Input Rotations	MA $\pm 10\%$	Max Input Torque (Nm)	Mounting Base (ISO 5211)	Max stem Bore ϕ (key)	Max stem Square	A	B	C	D	E	F	G	H	ϕd	b x h	Hand wheel ϕ	Weight (kg)
EGW -C002	250	32	8	12.9	19	F05/F07	22(6x6)	17	90	100	72	35	141	15	51	30	11	4 x 4	200	2
EGW -C005	500	40	10	14.3	35	F07/F10	35(10x8)	27	110	126	94	48	161	18	58	34	14	5 x 5	300	3.2
EGW -C007	750	42	10.5	13.5	55	F07/F10/F12	40(12x8)	32	122	139	100	45	180	22	69	38	16	5 x 5	400	5
EGW C010	1000	44	11	16.3	61	F10/F12/F14	44(12x8)	36	145	154	112	50	199	25	78.5	48	19	6 x 6	500	7.5
EGW -C015	1500	48	12	15.5	97	F10/F12/F14/F16	50(14x10)	42	152	169	124	56	218	25	88	55	19	6 x 6	600	10.5
EGW -C020	2000	54	13.5	16.7	120	F12/F14/F16	70(20x12)	55	170	186	136	65	233	25	90	56	19	6 x 6	600	11.5

REV NO.	ECN NO.	DESCRIPTION	REV BY	DATE	WEIGHT: (kg)	IF IN DOUBT ASK		ELGER CONTROLS INDIA PRIVATE LIMITED Coimbatore - 641 050.		ALL DIMENSIONS ARE IN mm.	
					DRAWN TR	DATE	09-SEP-2019	MODEL : EGW-C			
					CHK'D DT	DATE	09-SEP-2019	TITLE: GA DRAWING		SCALE : NTS A4	
					APPV'D DT	DATE	09-SEP-2019	DWG NO. P-EGW-C00000-G-001		REV NO. 00	SHEET 1 OF 1