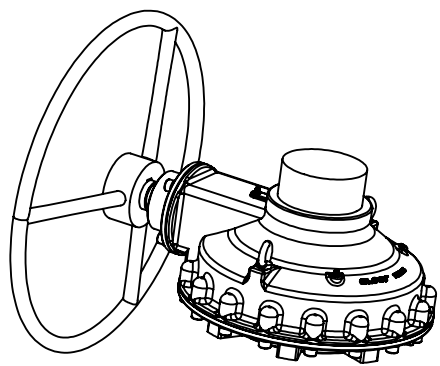
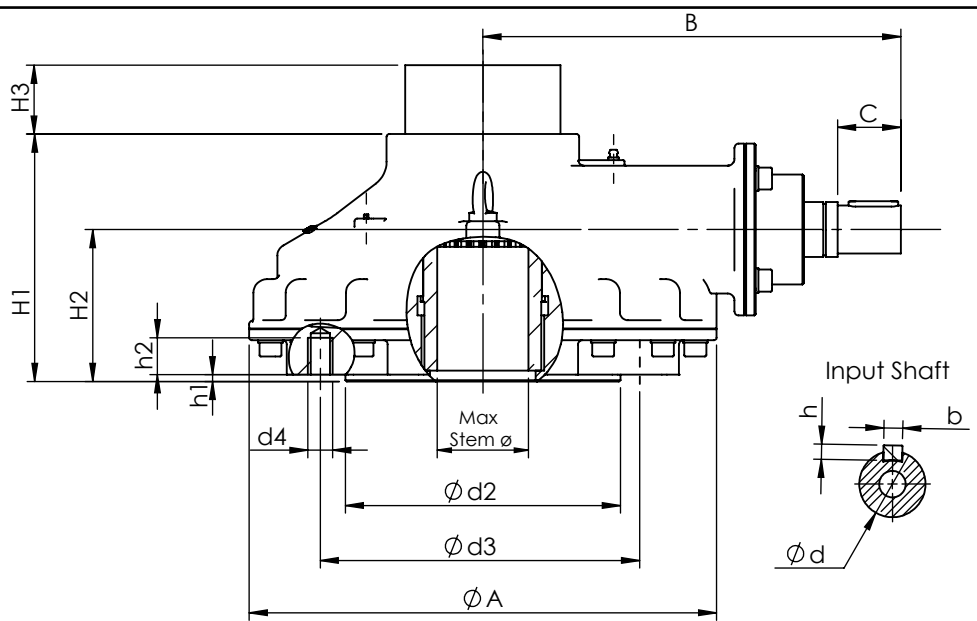


THIS DRAWING IS A PROPERTY OF ELGER CONTROLS INDIA PVT.LTD. AND SHALL NOT BE USED, COPIED OR TRANSMITTED IN ANY FORM FULL OR PART WITHOUT A WRITTEN CONSENT OF THE COMPANY.



| Mounting Base ISO 5210 | ød2* | ød3 | d4  | h1 | h2 | No of bolts |
|------------------------|------|-----|-----|----|----|-------------|
| F10                    | 70   | 102 | M10 | 3  | 15 | 4           |
| F12                    | 85   | 125 | M12 | 3  | 18 | 4           |
| F14                    | 100  | 140 | M16 | 4  | 24 | 4           |
| F16                    | 130  | 165 | M20 | 5  | 30 | 4           |
| F25                    | 200  | 254 | M16 | 5  | 24 | 8           |
| F30                    | 230  | 298 | M20 | 5  | 30 | 8           |
| F35                    | 260  | 356 | M30 | 5  | 45 | 8           |
| F40                    | 300  | 406 | M36 | 8  | 54 | 8           |
| F48                    | 370  | 483 | M36 | 8  | 54 | 12          |

\*Check product GA drawing for availability of spigot option.

All dimensions are in mm.

| Model   | Rated Torque (Nm) | Ratio | MA ±10% | Rated Thrust (kN) | Max Stem Size |               | Stem cover Thread(BSP) | Mounting Base ISO 5210 | ΦA  | B   | C  | H1    | H2    | H3 | Φd | bxh  | Hand Wheel ø | Weight (kg) w/o hand wheel |
|---------|-------------------|-------|---------|-------------------|---------------|---------------|------------------------|------------------------|-----|-----|----|-------|-------|----|----|------|--------------|----------------------------|
|         |                   |       |         |                   | Bore ø (Key)  | Thread (ACME) |                        |                        |     |     |    |       |       |    |    |      |              |                            |
| EGB 001 | 100               | 2     | 2       | 60                | 18(6x6)       | 25            | 1-1/2x11 TPI           | F10                    | 136 | 182 | 34 | 105   | 64.5  | 45 | 24 | 8x7  | 300          | 6.5                        |
| EGB 002 | 250               | 2.5   | 2.5     | 80                | 24(8x7)       | 30            | 2x11 TPI               | F10                    | 158 | 192 | 34 | 108   | 69    | 45 | 24 | 8x7  | 300          | 7.5                        |
| EGB 004 | 400               | 3     | 3       | 120               | 32(10x8)      | 40            | 2x11 TPI               | F10/F12                | 185 | 203 | 34 | 113   | 74    | 45 | 24 | 8x7  | 400          | 10                         |
| EGB 007 | 700               | 3.25  | 3.2     | 130               | 40(12x8)      | 46            | 2-1/2x11 TPI           | F12/F14                | 210 | 219 | 35 | 131.5 | 84.5  | 45 | 25 | 8x7  | 500          | 14.5                       |
| EGB 012 | 1200              | 3.75  | 3.7     | 175               | 50(14x9)      | 58            | 3x11 TPI               | F14/F16                | 255 | 253 | 40 | 150   | 96.5  | 45 | 25 | 8x7  | 600          | 22                         |
| EGB 018 | 1800              | 4.25  | 4.1     | 225               | 63(18x11)     | 65            | 3-1/2x11 TPI           | F16/F20                | 285 | 278 | 40 | 170   | 107.5 | 45 | 35 | 10x8 | 600          | 32.5                       |
| EGB 025 | 2500              | 5     | 4.8     | 295               | 70(20x12)     | 77            | 5x11 TPI               | F20/F25                | 340 | 304 | 46 | 180   | 110.5 | 45 | 35 | 10x8 | 600          | 49                         |
| EGB 038 | 3800              | 5.5   | 5.4     | 375               | 80(22x14)     | 90            | 5x11 TPI               | F25/F30                | 390 | 321 | 48 | 220   | 128.5 | 45 | 40 | 12x8 | 800          | 74                         |
| EGB 050 | 5000              | 6     | 5.8     | 450               | 95(25x14)     | 102           | 6x11 TPI               | F30/F35                | 440 | 351 | 48 | 240   | 152.5 | 45 | 40 | 12x8 | 800          | 98                         |
| EGB 075 | 7500              | 6.5   | 6.4     | 550               | 120(32x18)    | 130           | 6x11 TPI               | F35/F40                | 535 | 404 | 51 | 242   | 154.5 | 45 | 45 | 14x9 | 800          | 140                        |
| EGB 100 | 10000             | 7     | 6.8     | 1400              | 130(32x18)    | 142           | 8x11 TPI               | F35/F40                | 605 | 439 | 51 | 275   | 172.5 | 45 | 45 | 14x9 | 1000         | 190                        |
| EGB 150 | 15000             | 7.5   | 7.4     | 2100              | 145(36x20)    | 155           | 8x11 TPI               | F40/F48                | 710 | 510 | 67 | 305   | 195.5 | 45 | 50 | 14x9 | 1000         | 305                        |
| EGB 200 | 20000             | 8     | 7.7     | 3200              | 170(40x22)    | 177           | 10x11 TPI              | F40/F48                | 815 | 560 | 67 | 350   | 220.5 | 45 | 50 | 14x9 | 1000         | 445                        |

|                    |  |             |  |              |  |             |  |             |  |              |  |                 |  |   |  |                           |  |
|--------------------|--|-------------|--|--------------|--|-------------|--|-------------|--|--------------|--|-----------------|--|---|--|---------------------------|--|
| REV NO.            |  | ECN NO.     |  | DESCRIPTION  |  | REV BY      |  | DATE        |  | WEIGHT: (kg) |  | IF IN DOUBT ASK |  | ELGER CONTROLS INDIA PRIVATE LIMITED<br>Coimbatore - 641 050. |  | ALL DIMENSIONS ARE IN mm. |  |
| DRAWN TR           |  | DATE        |  | CHK'D DT     |  | DATE        |  | APPV'D DT   |  | DATE         |  | MODEL :         |  | TITLE:  |  |                           |  |
| 09-SEP-2019        |  | 09-SEP-2019 |  | 09-SEP-2019  |  | 09-SEP-2019 |  | 09-SEP-2019 |  | 09-SEP-2019  |  | EGB             |  | GA DRAWING  |  | SCALE : NTS A4            |  |
| P-EGB-000000-G-001 |  | 00          |  | SHEET 1 OF 1 |  |             |  |             |  |              |  |                 |  |   |  |                           |  |