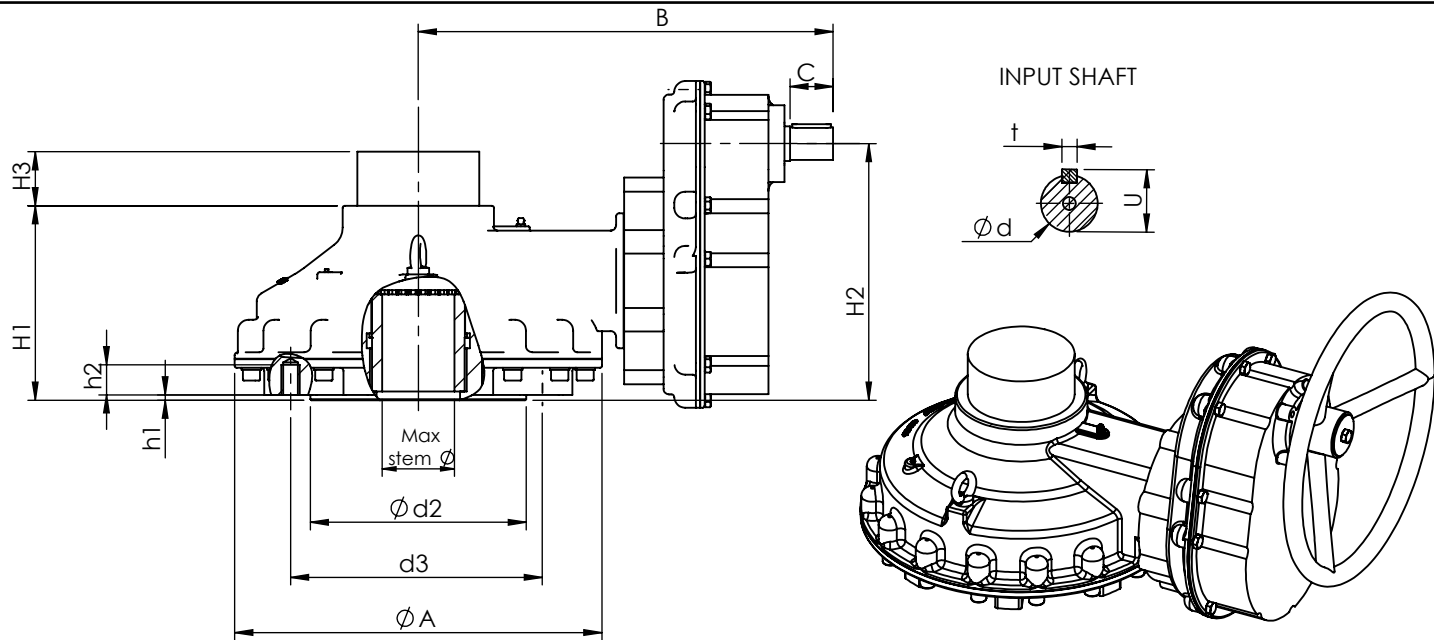


THIS DRAWING IS A PROPERTY OF ELGER CONTROLS INDIA PVT.LTD. AND SHALL NOT BE USED, COPIED OR TRANSMITTED IN ANY FORM FULL OR PART WITHOUT A WRITTEN CONSENT OF THE COMPANY.



Mounting Base ISO 5210	Ød2*	Ød3	d4	h1	h2	No of bolts
F10	70	102	M10	3	15	4
F12	85	125	M12	3	18	4
F14	100	140	M16	4	24	4
F16	130	165	M20	5	30	4
F25	200	254	M16	5	24	8
F30	230	298	M20	5	30	8
F35	260	356	M30	5	45	8
F40	300	406	M36	8	54	8
F48	370	483	M36	8	54	12

*Check product GA drawing for availability of spigot option.

All dimensions are in mm.

Model	Rated Torque (Nm)	Ratio	MA ±10%	Max Thrust (kN)	Max stem size		Stem cover Thread(BSP)	Mounting Base ISO 5210	ΦA	B	C	H1	H2	H3	Ød	bxh	Hand Wheel ø	Weight (kg) w/o hand wheel
					Bore ø (Key)	Thread (ACME)												
EGB004	400	6.3	6.15	120	32(10x8)	40	2x11 TPI	F10/F12	185	270	35	113	171	45	24	8x7	300	15
EGB007	700	6.8	6.6	130	40(12x8)	46	2-1/2x11 TPI	F12/F14	210	285	35	131.5	181	45	24	8x7	300	19.5
EGB012	1200	9.5	9.2	175	50(14x9)	58	3x11 TPI	F14/F16	255	315	35	150	205	45	24	8x7	400	29
EGB018	1800	10.5	10.34	225	63(18x11)	65	3-1/2x11 TPI	F16/F20	285	340	35	170	216	45	24	8x7	400	40
EGB025	2500	15	14.7	295	70(20x12)	77	5x11 TPI	F20/F25	340	384	40	180	238	45	28	8x7	500	69
EGB038	3800	17	16.5	375	80(22x14)	90	5x11 TPI	F25/F30	390	399	40	220	256	45	28	8x7	500	94
EGB050	5000	18	17.7	450	95(25x14)	102	6x11 TPI	F30/F35	440	429	40	240	280	45	28	8x7	500	118
EGB075	7500	25.5	24.9	550	120(32x18)	130	6x11 TPI	F35/F40	535	488	40	242	296	45	30	10x8	600	165
EGB100	10000	27	26.3	1400	130(32x18)	142	8x11 TPI	F35/F40	605	523	40	275	314	45	30	10x8	600	215
EGB150	15000	37.5	36.5	2100	145(36x20)	155	8x11 TPI	F40/F48	710	582	40	305	406	45	34	10x8	800	355
EGB200	20000	39	38.3	3200	170(40x22)	177	10x11 TPI	F40/F48	815	632	40	350	431	45	34	10x8	800	495

REV NO.		ECN NO.		DESCRIPTION		REV BY		DATE		WEIGHT: (kg)		IF IN DOUBT ASK		ELGER ELGER CONTROLS INDIA PRIVATE LIMITED Coimbatore - 641 050.		ALL DIMENSIONS ARE IN mm.	
										DRAWN TR		DATE 11-SEP-2019		MODEL : EGB-SINGEL REDUCTION UNIT		SCALE : NTS A4 SHEET 1 OF 1	
										CHK'D DT		DATE 11-SEP-2019		TITLE : GA DRAWING			
										APPV'D DT		DATE 11-SEP-2019		DWG NO. P-EGB-000000-G-011		REV NO. 00	